



|                                |     |                               |     |                                     |     |
|--------------------------------|-----|-------------------------------|-----|-------------------------------------|-----|
| LOAD ROLLERS                   | 110 | PIPE LIFTING CLAMP            | 113 | PALLET LIFTING CAGE                 | 118 |
| STEELABLE LOAD ROLLERS         | 110 | EXTENDABLE FORKLIFT BOOM      | 113 | TELESCOPIC LIFTING/SPEADER BEAM     | 119 |
| MULTI DIRECTION LOAD ROLLERS   | 110 | PALLET LIFTING BAGS           | 114 | TELESCOPIC LIFTING/SPEADER BEAM 50T | 120 |
| TOGGLE TYPE PIPE LIFTER        | 111 | HAND PALLET TRUCK             | 114 | MAXIRIG TELESCOPIC COMBINATION      |     |
| SPADE TYPE PIPE LIFTER         | 111 | A-FRAME PALLET LIFTING FORK   | 114 | BEAMS                               | 121 |
| PIPE LIFTING HOOKS             | 111 | OXY//ACEYLENE LIFTING FRAME   | 115 | MAXIBAR MODULAR SPREADER BAR        |     |
| PIPE LIFTING 'C' HOOK          | 111 | OXY//ACEYLENE LIFTING TROLLEY | 115 | SYSTEMS                             | 121 |
| HEAVY DUTY RAIL LIFTING CLAMP  | 112 | DRUM LIFTING                  | 116 | MAXILUG SPREADER BAR END CAPS       | 122 |
| RAIL LIFTING CLAMP             | 112 | FORKLIFT WORK PLATFORM        | 117 | MAXIRIG EQUALIZERS                  | 122 |
| COLLAR TYPE RAIL LIFTING CLAMP | 112 | WORK CAGE                     | 117 | MAXIRIG 20 & 40FT CONTAINER LIFTING | 123 |
| RAIL THREADING TONGS           | 112 | RESCUE CAGE                   | 117 |                                     |     |
| RAILWAY LINE LIFTING TONG      | 113 | LIFTING CAGE                  | 118 |                                     |     |

# MATERIAL HANDLING

LOAD ROLLERS



- Heavy duty construction
- Complete with swivel plate
- Suitable for industrial applications
- Nylon rollers allow for easy movement and protect floors



| PRODUCT CODE | WORKING LOAD (T) | DIMENSIONS (mm) | WEIGHT (kg) | No. of WHEELS |
|--------------|------------------|-----------------|-------------|---------------|
| EZROLLER2T   | 2                | 280x105x112     | 6           | 2             |
| EZROLLER6T   | 6                | 305x210x112     | 14          | 4             |
| EZROLLER12T  | 12               | 510x210x112     | 28          | 8             |
| EZROLLER18T  | 18               | 510x310x112     | 44          | 12            |

STEELABLE LOAD ROLLERS



- Heavy duty construction
- Suitable for industrial applications
- Move large machinery
- Complete with handle
- Swivel plate included
- Protect painted floors



| PRODUCT CODE | WORKING LOAD (T) | DIMENSIONS (mm) | WEIGHT (kg) | No. of WHEELS |
|--------------|------------------|-----------------|-------------|---------------|
| EZROLLER6T   | 6                | 360x270x105     | 22          | 4             |
| EZROLLER12T  | 12               | 625x505x112     | 48          | 8             |
| EZROLLER18T  | 18               | 810x515x112     | 52          | 12            |

MULTI-DIRECTION LOAD ROLLERS

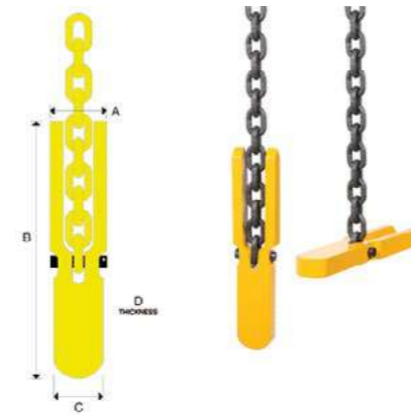


- Heavy duty construction
- Moves in any direction - 360°
- Suitable for industrial applications
- Move large machinery
- Available with handles
- Complete with load grip plate
- Protect painted floors



| PRODUCT CODE | WORKING LOAD (T) | DIMENSIONS (mm) | WEIGHT (kg) | HANDLE | No. of WHEELS |
|--------------|------------------|-----------------|-------------|--------|---------------|
| EZROLLER2T   | 2                | 520x420x112     | 21          | No     | 3             |
| EZROLLER2TH  | 2                | 520x420x112     | 25          | Yes    | 3             |
| EZROLLER4T   | 4                | 595x470x112     | 34          | No     | 5             |
| EZROLLER4TH  | 4                | 595x470x112     | 38          | Yes    | 5             |

TOGGLE TYPE PIPE LIFTER

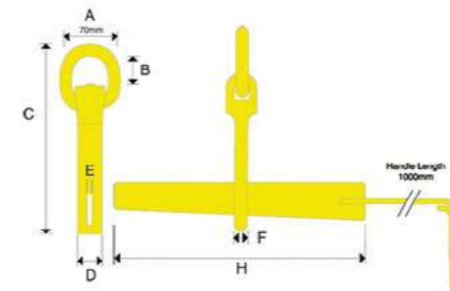


| Code    | WLL Tonnes | A  | Dimensions in mm |    |    | Weight kg      |
|---------|------------|----|------------------|----|----|----------------|
|         |            |    | B                | C  | D  |                |
| CONPL2T | 2          | 58 | 365              | 46 | 25 | 1.5 (no chain) |



- Suits 8mm Grade 80 chain, length to order (not included).

SPADE TYPE PIPE LIFTER



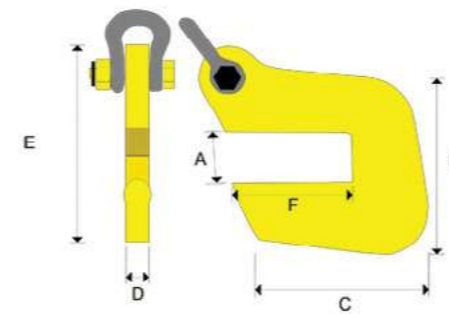
| Code    | WLL Tonnes | A  | B  | Dimensions in mm |    |    |    | C   | D    | E | F | H | Weight kg |
|---------|------------|----|----|------------------|----|----|----|-----|------|---|---|---|-----------|
| CONPL5T | 5          | 70 | 70 | 405              | 65 | 9  | 26 | 500 | 7.4  |   |   |   |           |
| CONPL8T | 8          | 75 | 70 | 525              | 70 | 12 | 28 | 700 | 13.5 |   |   |   |           |



PIPE LIFTING HOOKS

- For use with steel or cast pipes
- Included Sling Angle to be within 60° to 90°

COMPLIES WITH AS 4991-2004

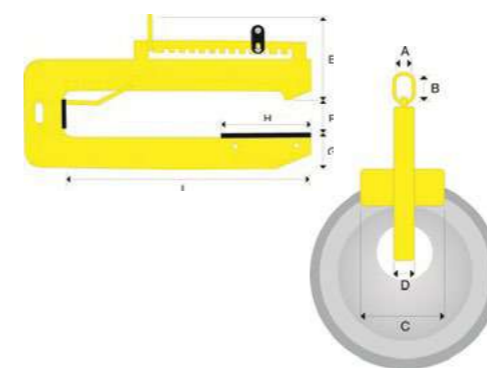


| Code    | WLL Tonnes | A  | B   | Dimensions in mm |    |     |     | C    | D | E | F | Weight kg |
|---------|------------|----|-----|------------------|----|-----|-----|------|---|---|---|-----------|
| PLH3.2T | 4.5/Pair   | 55 | 208 | 205              | 25 | 240 | 140 | 8.3  |   |   |   |           |
| PLH7.5T | 7.5/Pair   | 50 | 208 | 205              | 36 | 240 | 145 | 12.5 |   |   |   |           |
| PLH16T  | 16/Pair    | 62 | 208 | 205              | 50 | 240 | 145 | 19.5 |   |   |   |           |

PIPE LIFTING "C" HOOK

- Multi position head link allows for level adjustment for different pipe sizes
- Adjustable link stopper for repetitive lifts
- Backing plate allows to drive the pipe into position

COMPLIES WITH AS 4991-2004



| Code  | WLL Tonnes | A  | B   | C   | Dimensions in mm |     |     |     |     | D    | E   | F | G | H | L | Weight kg |
|-------|------------|----|-----|-----|------------------|-----|-----|-----|-----|------|-----|---|---|---|---|-----------|
| PLH2T | 2          | 85 | 155 | 360 | 75               | 440 | 180 | 190 | 445 | 1330 | 300 |   |   |   |   |           |



HEAVY DUTY RAIL LIFTING CLAMP

Suits rail sizes from 40 to 70 kg rail

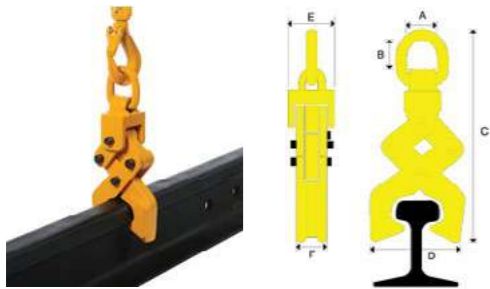
| Code   | WLL Tonnes | Dimensions in mm |     |     |     | Weight kg |
|--------|------------|------------------|-----|-----|-----|-----------|
|        |            | A                | B   | C   | D   |           |
| PRT5T  | 5          | 110              | 200 | 800 | 80  | 35        |
| PRT14T | 14         | 145              | 310 | 930 | 100 | 65        |



RAIL LIFTING CLAMP

Suits rail sizes from 40 to 70 kg rail

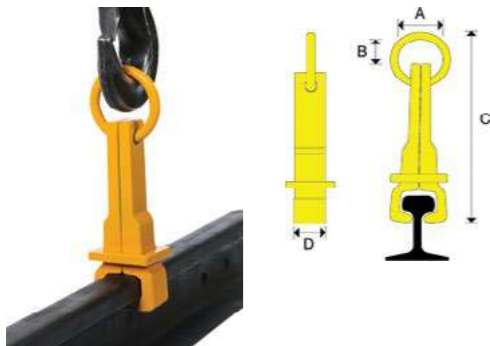
| Code  | WLL Tonnes | Dimensions in mm |    |     |     |     |    | Weight kg |
|-------|------------|------------------|----|-----|-----|-----|----|-----------|
|       |            | A                | B  | C   | D   | E   | F  |           |
| RLT3T | 3          | 48               | 46 | 370 | 150 | 105 | 50 | 8.8       |



COLLAR TYPE RAIL LIFTING CLAMP

Suits rail sizes from 40 to 70 kg rail.  
Can be manufactured to fit other rail sizes.

| Code    | WLL Tonnes | Dimensions in mm |    |     |    | Weight kg |
|---------|------------|------------------|----|-----|----|-----------|
|         |            | A                | B  | C   | D  |           |
| RLC2.5T | 2.5        | 100              | 75 | 440 | 65 | 11.5      |



RAIL THREADING TONGS

Suits rail sizes from 40 to 70 kg rail

| Code   | WLL Tonnes | Dimensions in mm |     |     |     | Weight kg |
|--------|------------|------------------|-----|-----|-----|-----------|
|        |            | A                | B   | C   | D   |           |
| PWRT2T | 2          | 115              | 200 | 850 | 260 | 74        |



RAILWAY LINE LIFTING TONG

Capacity: 1.5t

- Simple to operate
- Galvanised Bow Shackle included
- Durable painted finish
- All units are tested and certified

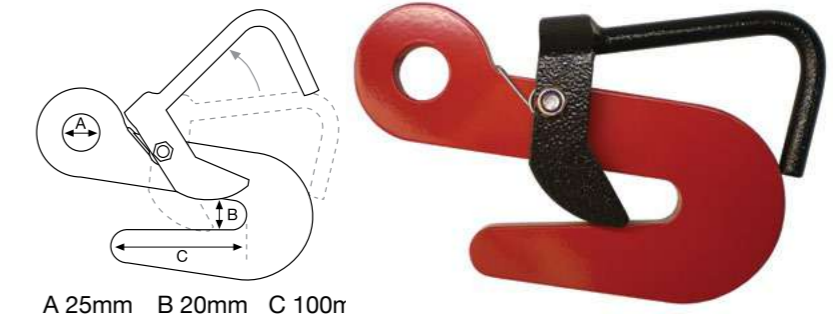


PIPE LIFTING CLAMP



Capacity: 1.5t/PAIR

- Lightweight for easy operation
- Spring loaded safety catch
- Maximum pipe wall thickness of 20mm
- Supplied with load test certificate
- Other sizes/capacities available on request



A 25mm B 20mm C 100r

EXTENDABLE FORKLIFT BOOM



Max. Capacity: 2000kg

- Safety and easily converts your forklift into a crane
- Easy to fit and secure
- Fitted with safety swivel hook and safety chain
- Finished in Safety Golden Yellow
- Supplied tested and certified



| BOOM POSITION | FULLY CLOSED | 1st EXTENSION | 2nd EXTENSION | FULLY OPEN |
|---------------|--------------|---------------|---------------|------------|
| LENGTH (mm)   | 1300         | 1525          | 1750          | 1975       |
| WLL (KG)      | 2000         | 1250          | 750           | 500        |

PALLET LIFTING BARS



- Rated for lifting pallets up to 2000kg
- Complete with end hooks to keep bars separated for stability
- Made to suit a variety of pallets sizes
- Bars must be at least 900mm apart



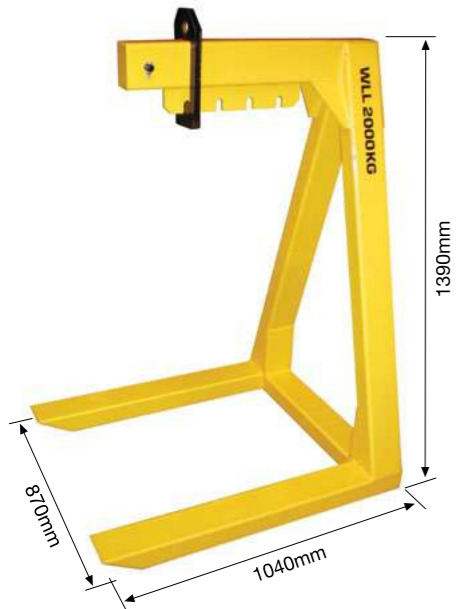
HAND PALLET TRUCK



Capacity: 2500kg

- Entry and Exit roller prevent physical exertion of the operator and protect load roller and pallet
- Totally sealed hydraulic pump with a slow lowering hand control valve
- Full adjustable push rod under forks
- 3-Position control handle, grease fittings at key points

A-FRAME PALLET LIFTING FORK

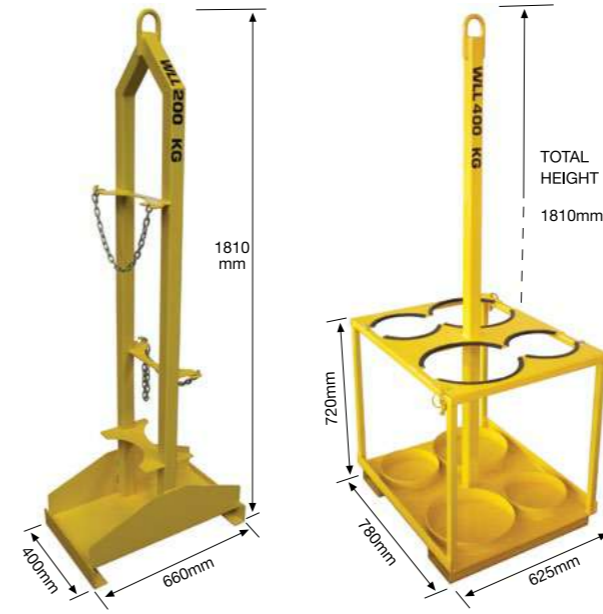


Capacity: 2500kg

- Simple to use overhead lifting frame to suit standard size pallets
- Durable powdercoat finish
- Supplied tested and certified



OXY/ACETYLENE LIFTING FRAME



Capacity: 200kg  
(1x)oxy+ (1x)acetylene

Capacity: 400kg  
(2x)oxy+ (2x)acetylene

- Versatile oxy/acetylene bottle lifting units
- Use as an overhead lifting frame or as a forklift attachment
- Durable powdercoat finish
- Supplied tested and certified



WE CAN ALSO MANUFACTURE ITEMS TO SUIT YOUR SPECIAL REQUIREMENTS



Capacity: 600kg  
(4x)oxy+ (2x)acetylene

OXY/ACETYLENE LIFTING TROLLEY

Capacity: 200kg

- Versatile oxy/acetylene storage unit
- Use as an overhead lifting frame, forklift attachment or hand trolley
- Handy toolbox for storage
- Finished in safety Golden Yellow
- Supplied tested & certified



WE CAN ALSO MANUFACTURE ITEMS TO SUIT YOUR SPECIAL REQUIREMENTS



Single bottle trolley units also available on request



DRUM LIFTING

DRUM LIFTING CLAMP: 500KG CAPACITY

Three designs provide safe lifting and repositioning of 200L (44 gallon) drums with or without lids. Available in Vertical and Horizontal styles.



Horizontal type



Vertical type

| MODEL      | DRUM SIZE | HEADROOM mm | SUSPENSION HOLE Dia. mm | WEIGHT KG |
|------------|-----------|-------------|-------------------------|-----------|
| Vertical   | 200L      | 152         | 50                      | 5         |
| Horizontal | 200L      | 470         | 50                      | 5         |



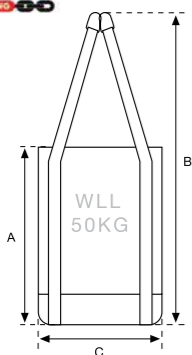
DRUM LIFTING FRAME: 700KG CAPACITY

Capable of lifting 200L (44 gallon) drums with or without lids. Safety chains supplied to ensure secure drum positioning. Supplied tested, certified and powdercoated for durability.



CANVAS LIFTING BAG CAPACITY: 50KG

- Heavy duty canvas construction
- Solid timber base
- Supplied with load test certificate
- Ideal for lifting scaffold clips, bolts, tools etc



| PRODUCT CODE | A   | B   | C   |
|--------------|-----|-----|-----|
| LIFT50       | 500 | 840 | 300 |
| LIFT50-L     | 500 | 840 | 380 |
| LIFT50-XL    | 500 | 840 | 500 |

WEBBING DRUM LIFTING Capacity: 500KG

- Safe and convenient lifting of 200L (44gal) drums
- Locking ratchet tensioner
- Oblong link head ring included
- Manufactured in accordance with AS 1353.1



FORKLIFT WORK PLATFORM

Capacity: 25KG

- Heavy duty hinged gate for easy access, with secure safety latch
- Internal hand rails
- Durable powdercoat finish
- Supplied tested and certified



WORK CAGE

Capacity: 300KG

- Heavy duty hinged gate for easy access, with secure safety pin latches
- Lanyard attachment points
- Use with overhead slings or with forklift
- Durable safety yellow powdercoat finish
- Supplied tested and certified
- Manufactured in accordance with AS4991



OTHER SIZES AND CAPACITIES ARE AVAILABLE ON REQUEST



RESCUE CAGE

- Sturdy general purpose lifting cages
- Variety of designs available
- Durable safety yellow powdercoat finish
- Supplied tested and certified
- Manufactured in accordance with AS4991



OTHER SIZES AND CAPACITIES ARE AVAILABLE ON REQUEST



LIFTING CAGE



Capacity: 1000kg

- Sturdy general purpose lifting cage
- Use with overhead slings or with forklift
- Durable safety yellow powdercoat finish
- Supplied tested and certified
- Manufactured in accordance with AS4991



OTHER SIZES AND CAPACITIES ARE AVAILABLE ON REQUEST

PALLET LIFTING CAGE



Capacity: 1000kg and 2000kg

- Heavy duty hinged gate for easy access, with secure safety pin latches
- Use with overhead slings or with forklift
- Durable safety yellow powdercoat finish
- Supplied tested and certified
- Manufactured in accordance with AS4991



OTHER SIZES AND CAPACITIES ARE AVAILABLE ON REQUEST

Capacity: 2000kg

- Suitable for lifting brick pallets
- Ideal for lifting pallets when the use of a forklift is unavailable
- Sturdy cage construction with mesh sides and swing-under doors, conveniently catching and loose items stacked on pallet
- Unit also available to suit brick packs



TELESCOPIC LIFTING/SPREADER BEAM

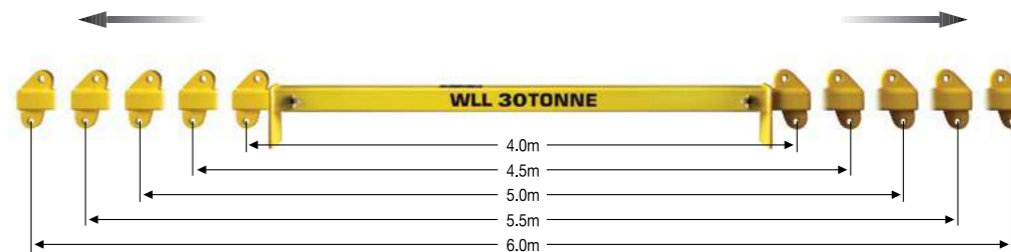
- Available in fixed lengths or telescopic
- Available as plain spreader or combination lifting beam
- Manufactured in accordance with AS4991
- Other capacities and lengths available on request



|                                      | LENGTH (mtr)        | 2.1 | 2.6 | 3.1 | 3.6 |
|--------------------------------------|---------------------|-----|-----|-----|-----|
| 8.6tonnes Maximum Working Load Limit | WLL as LIFTING (t)  | 1.3 | 1.1 | 0.9 | 0.8 |
|                                      | WLL as SPREADER (t) | 8.6 | 8.6 | 8.6 | 8.6 |



|                                     | LENGTH (mtr)        | 2.65 | 3.05 | 3.45 | 3.85 |
|-------------------------------------|---------------------|------|------|------|------|
| 15tonnes Maximum Working Load Limit | WLL as LIFTING (t)  | 3.1  | 2.7  | 2.4  | 2.0  |
|                                     | WLL as SPREADER (t) | 15   | 15   | 15   | 15   |



|                                     | LENGTH (mtr)        | 4.0  | 4.5  | 5.0  | 5.5  | 6.0  |
|-------------------------------------|---------------------|------|------|------|------|------|
| 30tonnes Maximum Working Load Limit | WLL as LIFTING (t)* | 6.00 | 5.25 | 4.50 | 4.25 | 4.00 |
|                                     | WLL as SPREADER (t) | 30   | 30   | 30   | 30   | 30   |

\* Capacity when used as Lift Beam when fitted with optional centre top lug.

WE CAN ALSO MANUFACTURE ITEMS TO SUIT YOUR SPECIAL REQUIREMENTS

TELESCOPIC LIFTING/SPREADER BEAMS -50t

- Available in fixed lengths or telescopic
- Available as plain spreader or combination lifting beam
- Manufactured in accordance with AS4991
- Other capacities and lengths available on request



| 50tonnes Maximum Working Load Limit | LENGTH (mtr)        | 4.0 | 4.5 | 5.0 | 5.5 | 6.0 |
|-------------------------------------|---------------------|-----|-----|-----|-----|-----|
|                                     | WLL as LIFTING (t)* | 6.5 | 6.0 | 5.4 | 4.9 | 4.5 |
|                                     | WLL as SPREADER (t) | 50  | 50  | 50  | 50  | 50  |

\* Capacity when used as Lift Beam when fitted with optional centre top lug.



| 50tonnes Maximum Working Load Limit | LENGTH (mtr)        | 7.5 | 8.0 | 8.5 | 9.0 | 9.5 | 10.0 | 10.5 | 11.0 | 11.5 | 12.0 |     |
|-------------------------------------|---------------------|-----|-----|-----|-----|-----|------|------|------|------|------|-----|
|                                     | WLL as LIFTING (t)* | 6.5 | 6.0 | 5.4 | 4.9 | 4.5 | 4.0  | 3.5  | 3.0  | 2.5  | 2.0  | 1.5 |
|                                     | WLL as SPREADER (t) | 50  | 50  | 50  | 50  | 50  | 50   | 50   | 50   | 50   | 50   | 50  |

WE CAN ALSO MANUFACTURE ITEMS TO SUIT YOUR SPECIAL REQUIREMENTS

MAXIRIG TELESCOPIC COMBINATION BEAMS



- Highly versatile and ideally suited for use by mobile crane operators, each unit functions as both a spreader bar in the 60°, 90° and 120° positions as well as a lifting beam.
- Added to this is the ability to alter the length of the device to suit the lift.
- Each unit is constructed from heavy duty steel and supplied with a proof load test certificate, magnetic particle inspection report along with a certificate of conformance with the relevant Australian Standard.



| MODEL   | Max. WLL as SPREADER (T) |     |      | Max. WLL (T) as LIFT | LENGTH (mm) |        | TARE (KG) |
|---------|--------------------------|-----|------|----------------------|-------------|--------|-----------|
|         | 60°                      | 90° | 120° |                      | OPEN        | CLOSED |           |
| TSB1015 | 1.5                      | 1.5 | N/A  | n/a                  | 3000        | 1800   | 25        |
| TSB1063 | 6                        | 3.5 | 2    | n/a                  | 3000        | 2000   | 50        |
| TSB1065 | 6                        | 6   | 4.5  | n/a                  | 5000        | 3000   | 105       |
| TSB1103 | 10                       | 10  | 7.5  | 2.75                 | 3510        | 2310   | 100       |
| TSB1106 | 10                       | 10  | 6    | n/a                  | 6000        | 4000   | 160       |
| TSB1204 | 20                       | 16  | 9    | 3.5                  | 4000        | 2650   | 150       |
| TSB1206 | 20                       | 14  | 8    | 2.1                  | 6000        | 4000   | 215       |
| TSB1304 | 30                       | 22  | 12.5 | 3.1                  | 4000        | 2800   | 200       |
| TSB1306 | 30                       | 22  | 12.5 | 2.2                  | 6000        | 4000   | 260       |
| TSB1504 | 50                       | 30  | 18   | 6                    | 4000        | 2800   | 260       |
| TSB1506 | 50                       | 30  | 18   | 4.2                  | 6000        | 4000   | 360       |
| TSB1806 | 80                       | 70  | 40   | 5                    | 6000        | 4000   | 605       |

MAXIBAR MODULAR SPREADER BAR SYSTEM



- Combining high working load limits with light weight and maximum adjustability, the Maxibar range of tubular spreaders offer a lifting solution for just about any job.
- Each unit is constructed from heavy duty steel and supplied with a proof load test certificate, magnetic particle inspection report along with a certificate of conformance with the relevant Australian Standard.



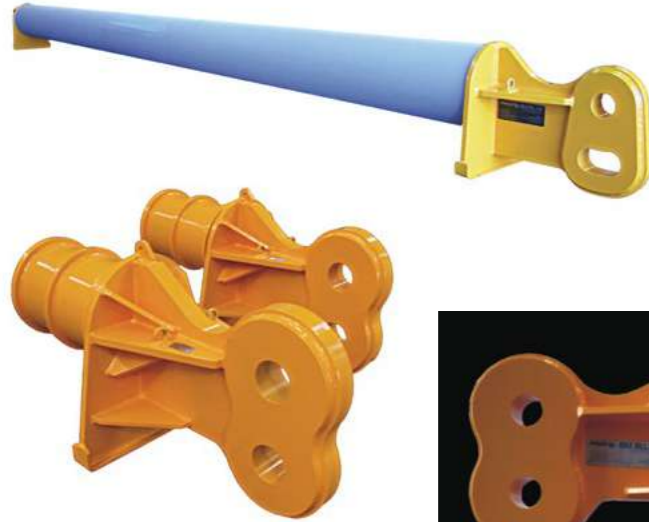
| MODEL       | WLL at Max. LENGTH (T) |     |      | LENGTH ADJUSTMENT RANGE (mtrs) |      | ADJUSTMENT INCREMENT (mm) | TARE (KG) |
|-------------|------------------------|-----|------|--------------------------------|------|---------------------------|-----------|
|             | 60°                    | 90° | 120° | Max.                           | Min. |                           |           |
| Maxibar 3   | 4                      | 4   | 3    | 1.5                            | 0.5  | 100                       | 50        |
| Maxibar 8   | 8                      | 5   | 3    | 2.5                            | 0.5  | 100                       | 85        |
| Maxibar 15  | 16                     | 9   | 5    | 4                              | 1.0  | 500                       | 140       |
| Maxibar 30  | 26                     | 15  | 8    | 6                              | 1.5  | 500                       | 300       |
| Maxibar 40  | 35                     | 20  | 11   | 8                              | 1.5  | 500                       | 470       |
| Maxibar 60  | 37                     | 21  | 12   | 11                             | 1.5  | 500                       | 940       |
| Maxibar 80  | 50                     | 29  | 16   | 12                             | 2    | 500                       | 1220      |
| Maxibar 100 | 93                     | 53  | 31   | 12                             | 2    | 500                       | 1895      |
| Maxibar 120 | 85                     | 49  | 28   | 16                             | 2    | 500                       | 2915      |
| Maxibar 145 | 76                     | 44  | 25   | 20                             | 2    | 500                       | 3900      |
| Maxibar 300 | 150                    | 90  | N/A  | 26                             | 2    | 500                       | 6600      |

Each individual product manufactured by Maxirig is provided with the following:

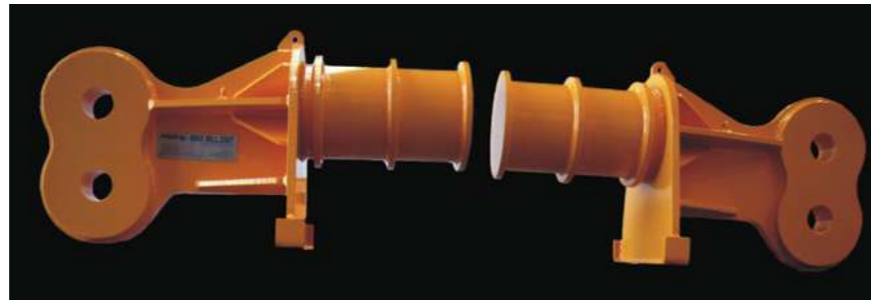
- Certificate of conformance to parent standard
- Proof load test certificate of secondary design verification
- Magnetic particle inspection of welding
- In the case of personal cages - each is design registered with relevant Workcover authorities
- Detailed user notes including check lists
- Manufacturers guarantees



**MAXILUG SPREADER BAR END CAPS**



Maxilug End Caps allow users to create their own custom length, medium-lift and heavy-lift spreader bars. Designed to accommodate readily available line pipe, Maxirig can supply the units as is or with various pipe lengths to facilitate lifts of varying dimensions. All Maxirig End Caps meet AS4991-2004 parent standard product assurance, are proof load tested and MPI weld inspected and are guaranteed for 1 year.



| Specifications                               | Maxilug 25                                | Maxilug 50                                | Maxilug 80                                 | Maxilug 145                                | Maxilug 250                             | Maxilug 400                             |
|--|---|---|--|--|---|---|
| Capacity at 60°:                             | 25 T                                      | 50 T                                      | 80 T                                       | 145 T                                      | 250 T                                   | 400 T                                   |
| Capacity at 90°:                             | 20 T                                      | 30 T                                      | 35 T                                       | 80 T                                       | 160 T                                   | 230 T                                   |
| Tare weight per pair (excl pipe or rigging): | 65kg ea / 130kg                           | 110kg ea / 220kg                          | 175kg ea / 350kg                           | 210kg ea / 420kg                           | 600kg ea / 1200kg                       | 800kg ea / 1600kg                       |
| Lifting lugs (top) suit                      | 17 T Grade 'S' safety bow shackle         | 35 T Grade 'S' safety bow shackle         | 55 T Grade 'S' safety bow shackle          | 85 T Grade 'S' safety bow shackle          | 150 T Grade 'S' safety bow shackle      | 250 T Grade 'S' safety bow shackle      |
| Load lugs (lower) suit                       | 13 T Grade 'S' safety bow shackle         | 35 T Grade 'S' safety bow shackle         | 55 T Grade 'S' safety bow shackle          | 85 T Grade 'S' safety bow shackle          | 150 T Grade 'S' safety bow shackle      | 250 T Grade 'S' safety bow shackle      |
| Intermediate pipe:                           | 273.1mm OD x 6.4mm Wall C350LO (42.1kg/m) | 273.1mm OD x 6.4mm Wall C350LO (42.1kg/m) | 323.9mm OD x 9.53mm Wall C350LO (73.9kg/m) | 355.6mm OD x 9.53mm Wall C350LO (81.1kg/m) | 457mm OD x 12.7mm Wall C350LO (139kg/m) | 508mm OD x 12.7mm Wall C350LO (155kg/m) |

**MAXIRIG EQUALIZERS**



When using multiple sling legs this device provides a means of equalizing forces within the legs. Connection is made via standard Grade "S" bow shackle and can be used with chain, wire rope or synthetic slings. Ideal in compensating for differences in load lift points and sling lengths.

| Specifications                                  | EQP1005         | EQP1010         | EQP1020        | EQP1030        | EQP1050        | EQP1085        | EQP1100         |
|---|-----------------|-----------------|----------------|----------------|----------------|----------------|-----------------|
| Capacity:                                       | 5 T             | 10 T            | 20 T           | 30 T           | 50 T           | 85 T           | 100 T           |
| Tare weight per pair (excl associated rigging): | 10kg            | 15kg            | 25kg           | 40kg           | 90kg           | 130kg          | 190kg           |
| Lifting lugs (top) suit, safety bow shackle:    | 6.5 T Grade 'S' | 12 T Grade 'S'  | 25 T Grade 'S' | 35 T Grade 'S' | 55 T Grade 'S' | 85 T Grade 'S' | 120 T Grade 'S' |
| Load lugs (lower) suit, safety bow shackle:     | 3.2 T Grade 'S' | 6.5 T Grade 'S' | 12 T Grade 'S' | 17 T Grade 'S' | 35 T Grade 'S' | 55 T Grade 'S' | 85 T Grade 'S'  |



**MAXIRIG 20 & 40 FT CONTAINER LIFTER**

This device is for handling 20 and 40 foot ISO shipping containers. Features include sling activated mechanical twistlocks, low maintenance - no electrics or hydraulics, eliminates need for personnel to attach slings, operate twistlocks or get on top of containers. Ideal for use when stacking containers.

| 20 Foot Description |                             | 40 Foot Description |                             | Product Assurance         |               |
|---------------------|-----------------------------|---------------------|-----------------------------|---------------------------|---------------|
| Work Load Limit:    | 25,000kg (25T)              | Work Load Limit:    | 35,000kg (35T)              | Parent Standard:          | AS4991 - 2004 |
| Tare Weight:        | 1,200kg                     | Tare Weight:        | 1,800kg                     | Proof Load Testing:       | Yes           |
| Dimensions:         | 5853mm (W) x 2260mm (L)     | Dimensions:         | 2520mm (W) x 12,235mm (L)   | MPI Weld Inspection:      | Yes           |
| Finish:             | Powder coated safety yellow | Finish:             | Powder coated safety yellow | Manufacturer's Guarantee: | 1 Year        |

